

LOBES PUMPS MODEL APLB-810



TECHNICAL DATA

MODEL	Capacity (Hl/h)	Pressure (Bar)	Power installed (kW) / Rotation Speed (rpm)
APLB811	20 to 50	Up to 4	1.5 / up to 450
APLB812	40 to 120		4.0 / up to 520
APLB813	120 to 350		7.5 / up to 530

MODEL	Connection DIN (DN)	L x B x H (mm)	Weight (kg)
APLB811	50	840x475x815	110
APLB812	65	790x665x950	180
APLB813	80	955x800x1100	250

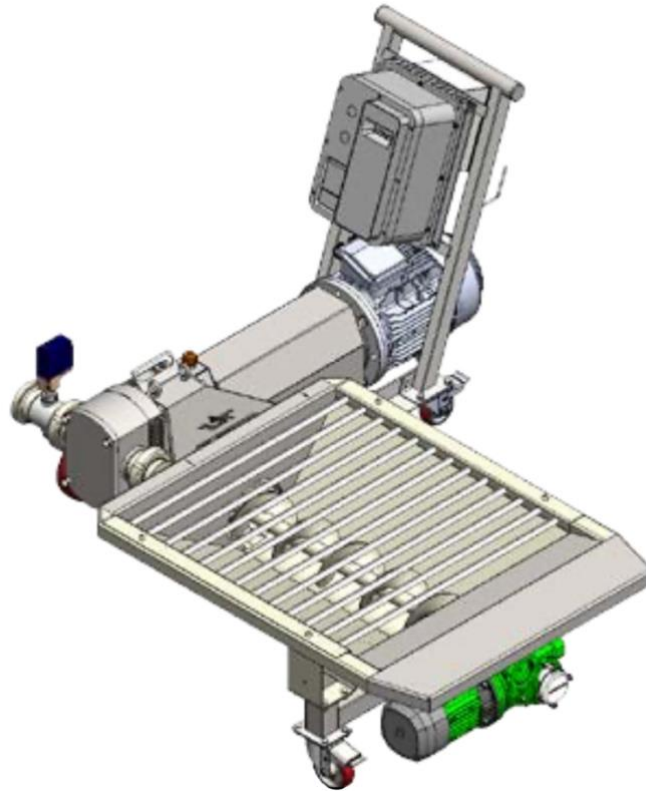
Standard equipment:

Pump with own geared body connected to the standard drive.
 Pump unit place on stainless steel trolley
 Steel materials in contact with product AISI 316
 Straight Three Lobes EPDM
 Control cabinet including Inverter
 Flow reverse
 Two pieces safety anti-over load pressure switches for each direction
 Standard Inlet / Outlet: male union joints DIN 11851
 Power supply 3ph 400V 50Hz
 5 meters power supply cable without plug

MODEL	DESCRIPTION	NET PRICES (EURO)
	LOBES PUMPS MODEL APLB-810	
APLB811	LOBES PUMP 50hl/h	5.120,00
APLB812	LOBES PUMP 120hl/h	7.520,00
APLB813	LOBES PUMP 350hl/h	10.100,00

	OPTION	NET PRICES (EURO)
	Anti-dry running protection: LMT100 with 10s delay	440,00
	Motor Servo- ventilation – MOD - APLB811	250,00
	Motor Servo- ventilation – MOD - APLB812	300,00
	Motor Servo- ventilation – MOD - APLB813	340,00
	Wireless Remote Control	580,00
	Electrical shut-off valve – MOD- APLB811	On Request
	Electrical shut-off valve – MOD - APLB812	On Request
	Electrical shut-off valve – MOD - APLB813	On Request

LOBES PUMPS MODEL APLB-810H



TECHNICAL DATA

MODEL	Capacity (Hl/h)	Pressure (Bar)	Drive (kW)
APLB812H	40 to 120	Up to 4	4.55
APLB813H	120 to 350	Up to 4	8.25

MODEL	Connection DIN (DN)		L x B x H (mm)	Weight (kg)
APLB812H	Hopper 700x650	65	1625x1555x790	230
APLB813H	Hopper 700x650	80	-	-

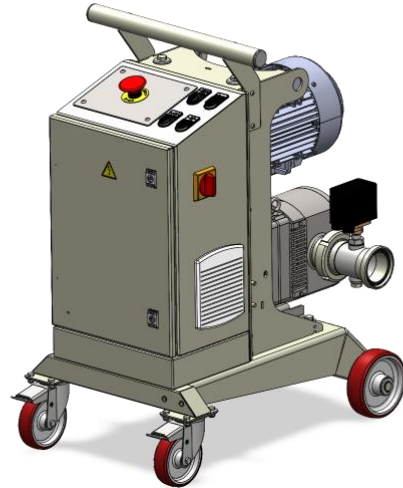
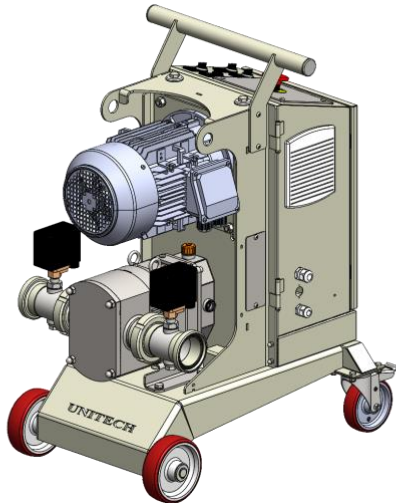
Standard equipment:

Mobile lobe pump with reception hopper 0.1 m³ driven
 Mechanical variable speed and starter with reverse.
 Pump with own geared body connected to the standard drive.
 Stainless steel trolley
 Steel materials in contact with product AISI 316
 Straight Three Lobes EPDM
 Inverter for smooth capacity control with Flow reverse
 Safety anti-over load pressure switch
 Standard Inlet / Outlet: male union joints DIN 11851
 Power supply 3ph 400V 50Hz
 5 meters power supply cable without plug

MODEL	DESCRIPTION	NET PRICES (EURO)
	LOBES PUMPS MODEL APLB-810H WITH HOPPER	
APLB812H	LOBES PUMP 120hl/h	10.200,00
APLB813H	LOBES PUMP 350hl/h	13.300,00

	OPTION	NET PRICES (EURO)
	Hopper level control (Lc)	360,00
	Motor Servo- ventilation – MOD - APLB812H	300,00
	Motor Servo- ventilation – MOD - APLB813H	340,00
	Wireless Remote Control	580,00

LOBES PUMPS MODEL APLB-820



TECHNICAL DATA

MODEL	Capacity (Hl/h)	Pressure (Bar)	Power installed (kW) / Rotation Speed (rpm)
APLB821	20 to 50	Up to 4	1.5 / up to 430
APLB822	40 to 120	Up to 4	4.0 / up to 520
APLB823	120 to 350	Up to 4	7.5 / up to 530

MODEL	Connection DIN (DN)	L x B x H (mm)	Weight (kg)
APLB821	50	840x475x815	110
APLB822	65	790x665x950	180
APLB823	80	955x800x1100	250

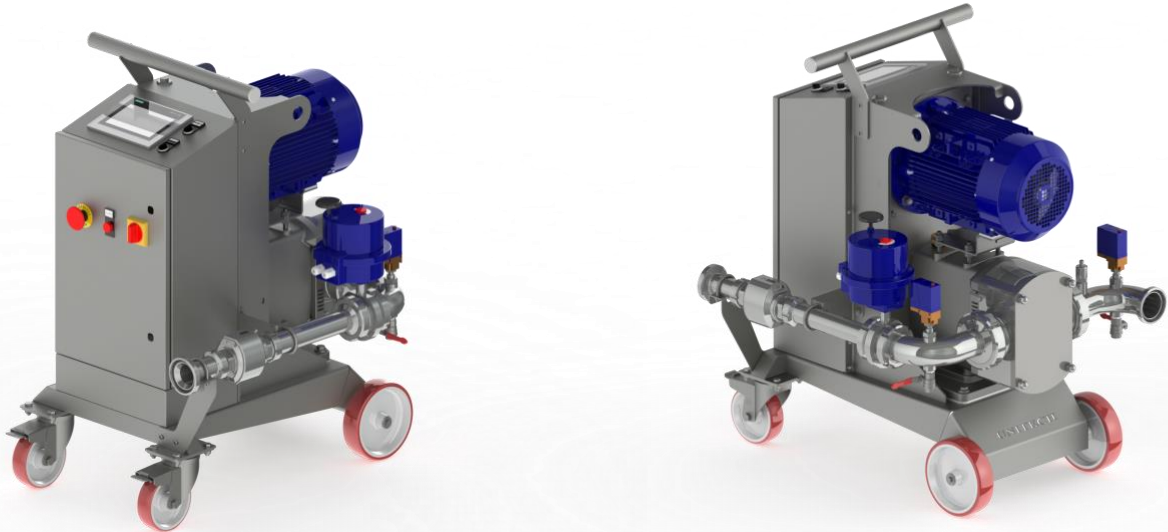
Standard equipment:

Pump with own geared body connected to the standard drive.
 Pump unit place on stainless steel trolley
 Steel materials in contact with product AISI 316
 Straight Three Lobes EPDM
 Stainless steel control cabinet including Inverter
 Flow reverse
 Two pieces safety anti over load pressure switches for each direction
 Standard Inlet / Outlet: male union joints DIN 11851
 Power supply 3ph 400V 50Hz
 5 meters power supply cable without plug

MODEL	DESCRIPTION	NET PRICES (EURO)
	LOBES PUMPS MODEL APLB-820	
APLB821	LOBES PUMP 50hl/h	5.860,00
APLB822	LOBES PUMP 120hl/h	8.050,00
APLB823	LOBES PUMP 350hl/h	10.610,00

	OPTION	NET PRICES (EURO)
	Anti-dry running protection: LMT100 with 10s delay	440,00
	Motor Servo- ventilation – MOD - APLB821	250,00
	Motor Servo- ventilation – MOD - APLB822	300,00
	Motor Servo- ventilation – MOD - APLB823	340,00
	Wireless Remote Control	580,00
	Shut off valve with electro- actuator -MOD - APLB821	On Request
	Shut off valve with electro- actuator -MOD - APLB822	On Request
	Shut off valve with electro- actuator -MOD - APLB823	On Request

LOBES PUMPS MODEL APLB-820FM



TECHNICAL DATA

MODEL	Capacity (Hl/h)	Pressure (Bar)	Drive (kW/rpm)
APLB822FM	40 to 120	Up to 4	4.0 / up to 520
APLB823FM	120 to 350	Up to 4	7.5 / up to 530

MODEL	Connection DIN (DN)	L x B x H (mm)	Weight (kg)
APLB822FM	50	790x665x950	180
APLB823FM	65	955x800x1100	250

Standard equipment:

Pump with own geared body connected to the standard drive.

Pump unit place on stainless steel trolley

Steel materials in contact with product AISI 316

Straight Three Lobes EPDM

Stainless steel control cabinet including Inverter

Flow reverse

Two pieces safety anti-over load pressure switches for each direction

Standard Inlet / Outlet: male union joints DIN 11851

Power supply 3ph 400V 50Hz

5 meters power supply cable without plug

Shut off valve with electro- actuator

Electromagnetic flow meter with precision 0,2 % PLC with 7" Touch display with follow functions:

- Pumping: show moment capacity and pass volume
- Filling: programmed volume with cycle counter
- Recirculation: programmed time for work/ pause
- Total: show totals

External start signal function

MODEL	DESCRIPTION	NET PRICES (EURO)
	LOBES PUMPS MODEL APLB-820FM	
APLB822FM	LOBES PUMP 120hl/h	12.580,00
APLB823FM	LOBES PUMP 350 hl/h	15.240,00

	OPTION	NET PRICES (EURO)
	Anti-dry running protection: LMT100 with 10s delay	440,00
	Motor Servo- ventilation – MOD - APLB821FM	250,00
	Motor Servo- ventilation – MOD - APLB822FM	300,00
	Motor Servo- ventilation – MOD - APLB823FM	340,00
	Wireless Remote Control	580,00

SALES CONDITION

DELIVERY	60 days from advance payment receiving
TRANSPORT	Excluded
PACKING	Standard packing on pallet included
GUARANTEE	12 months mechanic parts, electrical parts excluded
PAYMENT	30% at order, balance advise goods ready for shipping
VALIDITY	2026